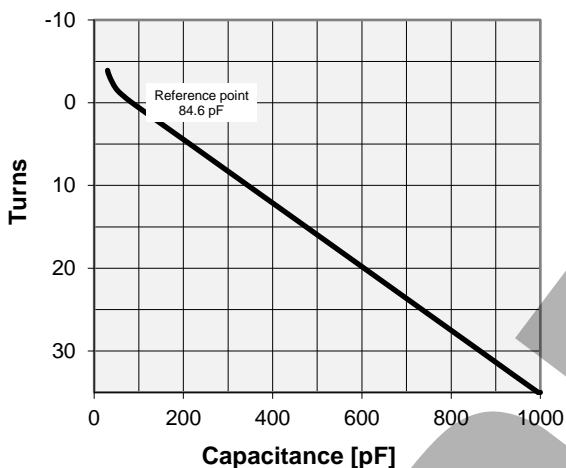


# CVSA-1000BC/25-AAB

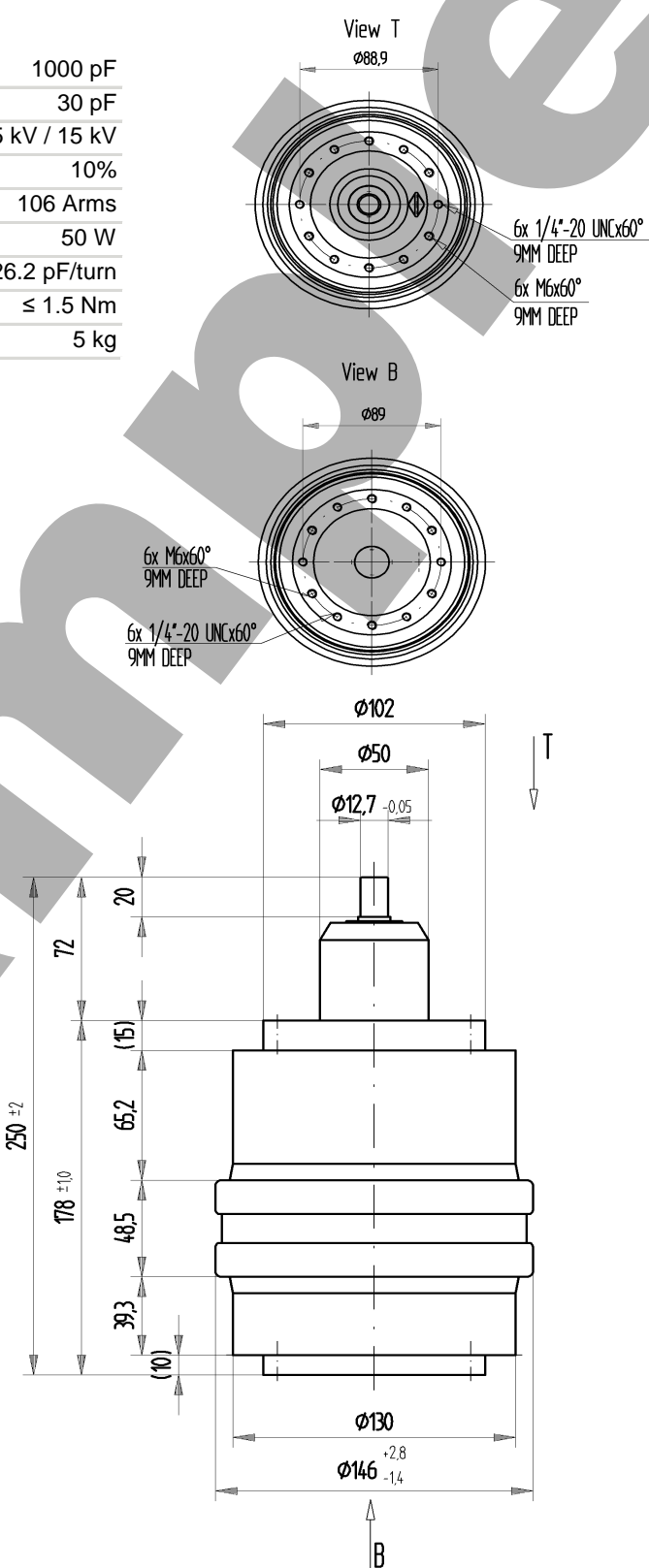
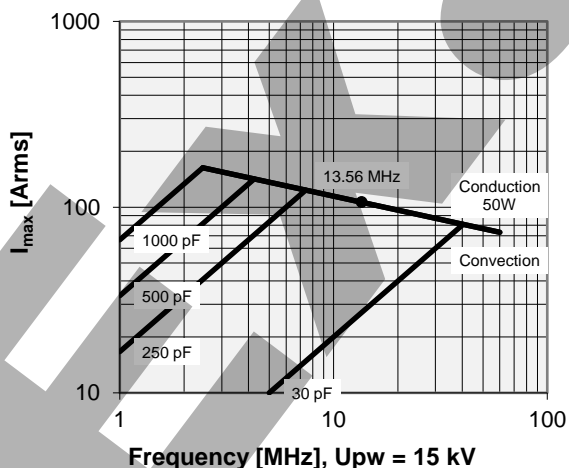
Old Type Designation: CV1C-1000R

## Specifications

Capacity $C_{max}$ (nominal)	1000 pF
Capacity $C_{min}$ (nominal)	30 pF
Voltage (Peak Test $U_{pt}$ / Peak Working $U_{pw}$ )	25 kV / 15 kV
Capacity Tolerance (linear Range)	10%
Max. Current $I_{max}$ at 13.56 MHz with	106 Arms
Conduction Cooling	50 W
Capacitance per turn	26.2 pF/turn
Torque	$\leq 1.5$ Nm
Net Weight	5 kg



$I_{max}$  at 25°C ambient and 125°C surface temp. for convection and conduction (50 W) cooling



Note:  
 Technical information in Service Bulletin  
 SB-52 must be considered  
 Subject to change without prior notice

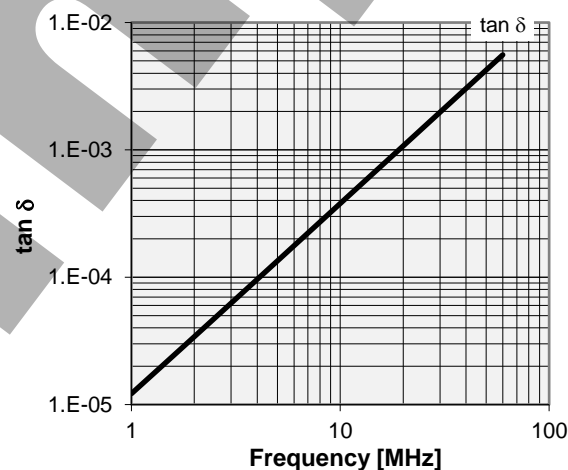
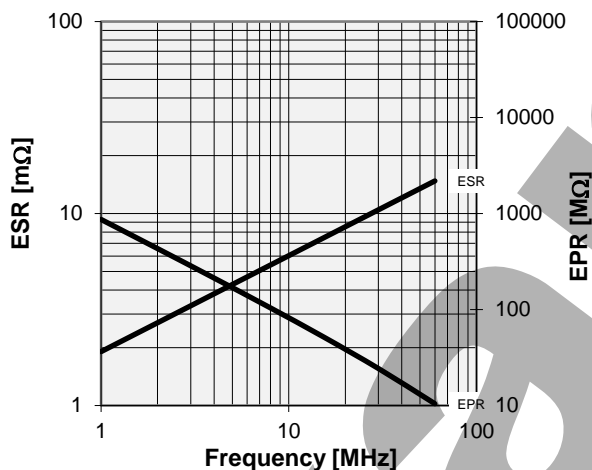
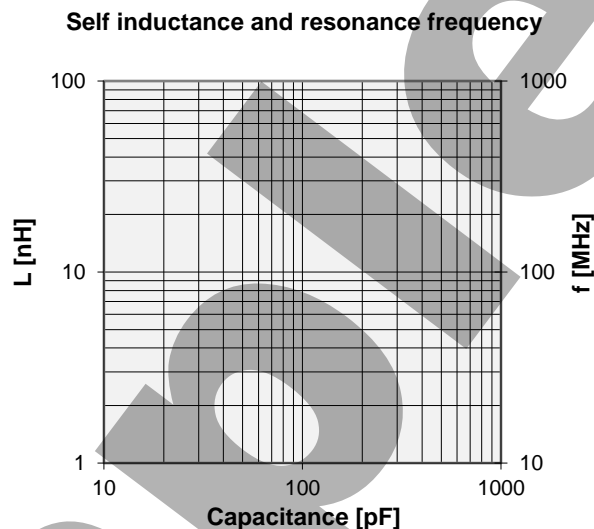
Issue: 20-Feb-2008

# CVSA-1000BC/25-AAB

Old Type Designation: CV1C-1000R

Turns	Nominal Capacitance [pF]	Tolerance
-3.9	30.0	10%
-3.0	35.7	10%
-1.5	52.0	10%
0.0	84.6	0%
5.0	214.7	10%
10.0	344.7	10%
15.0	475.0	10%
20.0	605.0	10%
25.0	735.0	10%
30.0	865.0	10%
35.0	995.0	10%
35.0	1000.0	10%

Mechanical stop at < 30 pF at ~ -4.5 turns  
 Mechanical stop at > 1000 pF at ~ 36 turns



Note:  
 Technical information in Service Bulletin  
 SB-52 must be considered  
 Subject to change without prior notice

Issue: 20-Feb-2008