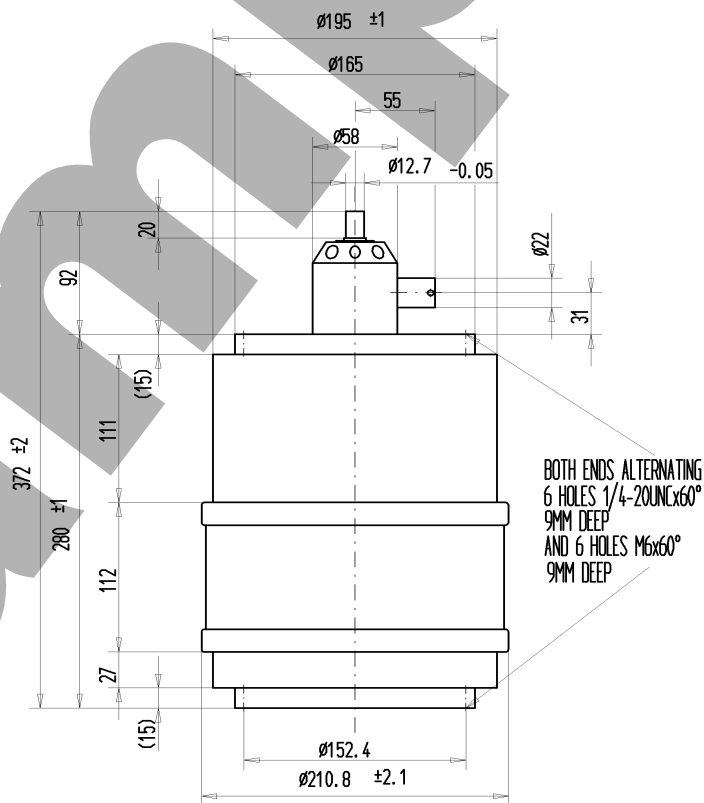
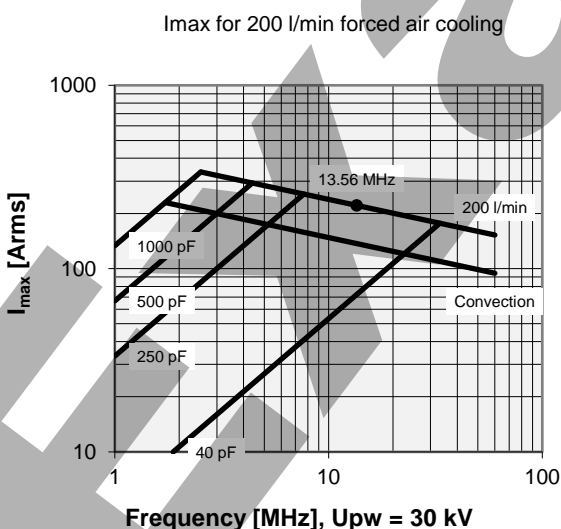
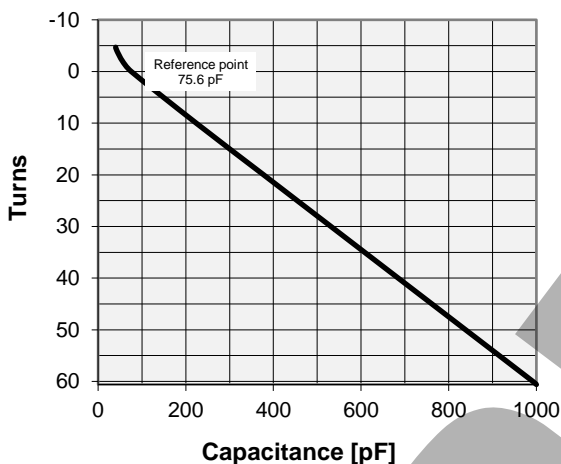


CVLA-1000AA/50-AAB

Old Type Designation: CV3A-1000E

Specifications

Capacity C_{max} (nominal)	1000 pF
Capacity C_{min} (nominal)	40 pF
Voltage (Peak Test U_{pt} / Peak Working U_{pw})	50 kV / 30 kV
Capacity Tolerance (linear Range)	10%
Max. Current I_{max} at 13.56 MHz with	221 Arms
Air Cooling	200 l/min
Capacitance per turn	15.3 pF/turn
Torque	≤ 1.5 Nm
Net Weight	14 kg



Note:
 Technical information in Service Bulletin
 SB-52 must be considered
 Subject to change without prior notice

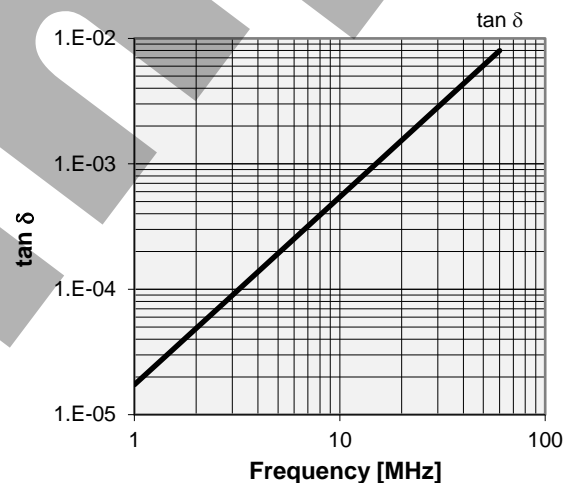
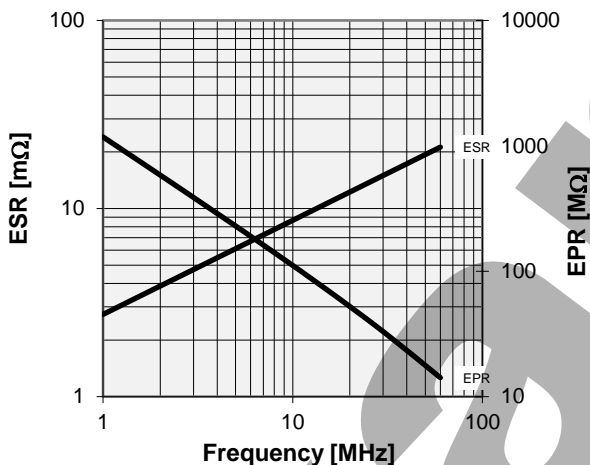
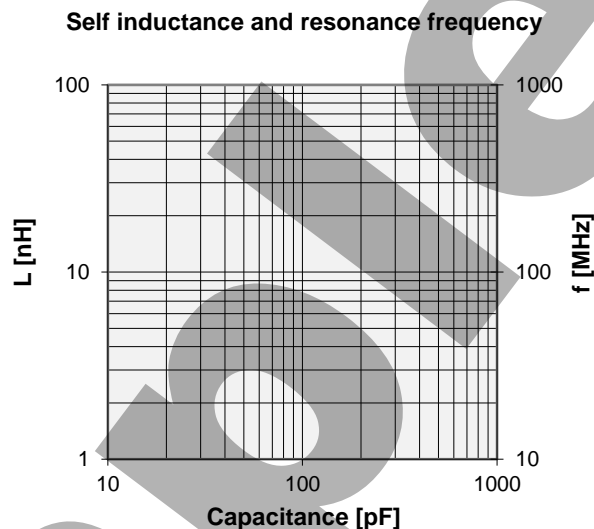
Issue: 14-Feb-2012

CVLA-1000AA/50-AAB

Old Type Designation: CV3A-1000E

Turns	Nominal Capacitance [pF]	Tolerance
-4.7	40.0	10%
-4.0	42.9	10%
-2.0	55.6	10%
0.0	75.6	0%
10.0	223.9	10%
20.0	377.5	10%
30.0	531.1	10%
40.0	684.7	10%
50.0	838.3	10%
60.0	991.9	10%
60.6	1000.0	10%

Mechanical stop at < 40 pF at ~ -7.8 turns
 Mechanical stop at > 1000 pF at ~ 61.5 turns



Note:
 Technical information in Service Bulletin
 SB-52 must be considered
 Subject to change without prior notice

Issue: 14-Feb-2012