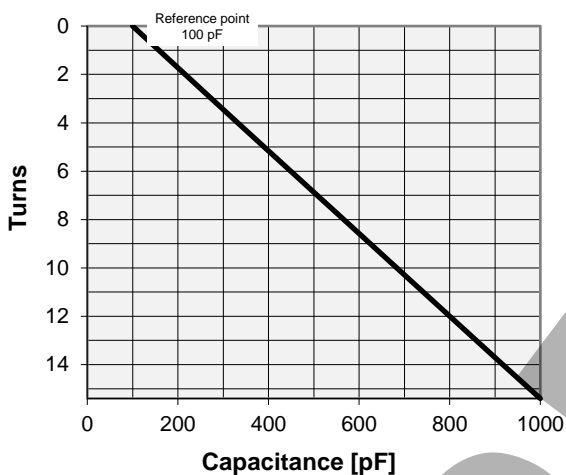


CVPO-1000AC/5-BECA

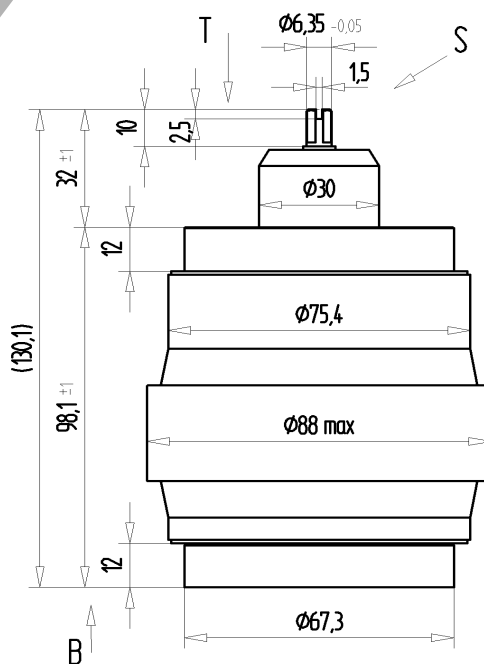
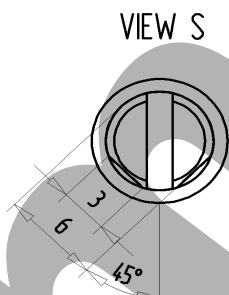
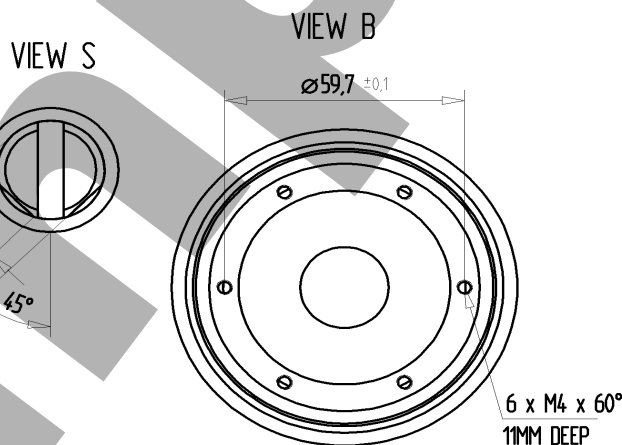
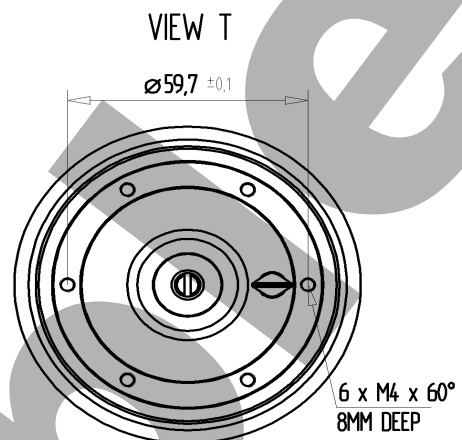
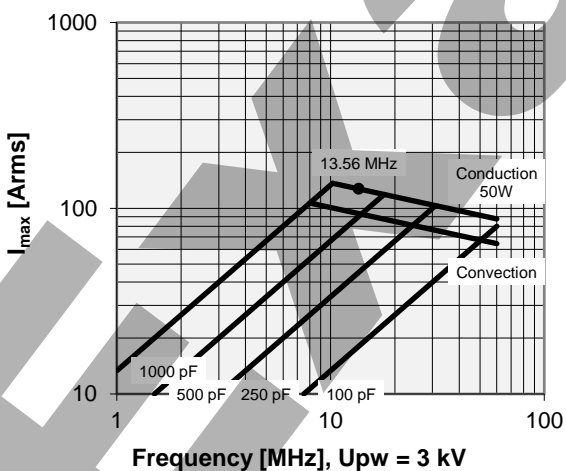
Old Type Designation: CV05C-1000LMN

Specifications

Capacity C_{max} (nominal)	1000 pF
Capacity C_{min} (nominal)	100 pF
Voltage (Peak Test U_{pt} / Peak Working U_{pw})	5 kV / 3 kV
Capacity Tolerance (linear Range)	10%
Max. Current I_{max} at 13.56 MHz with	127 Arms
Conduction Cooling	50 W
Self Inductance	≤ 7 nH
Capacitance per turn	58.4 pF/turn
Torque	≤ 0.4 Nm
Net Weight	1.25 kg



I_{max} at 25°C ambient and 125°C surface temp. for convection and conduction (50 W) cooling



Note:
 Technical information in Service Bulletin
 SB-52 must be considered
 Subject to change without prior notice

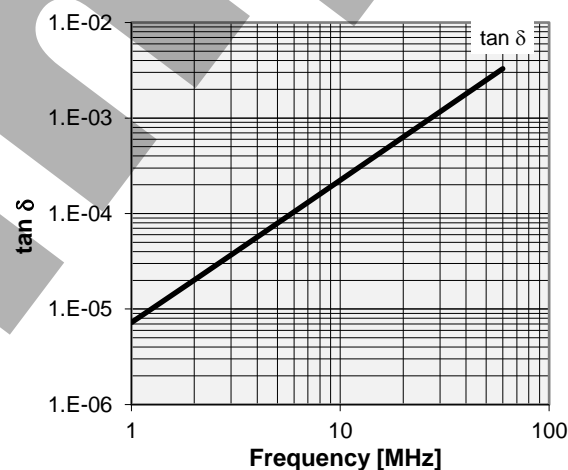
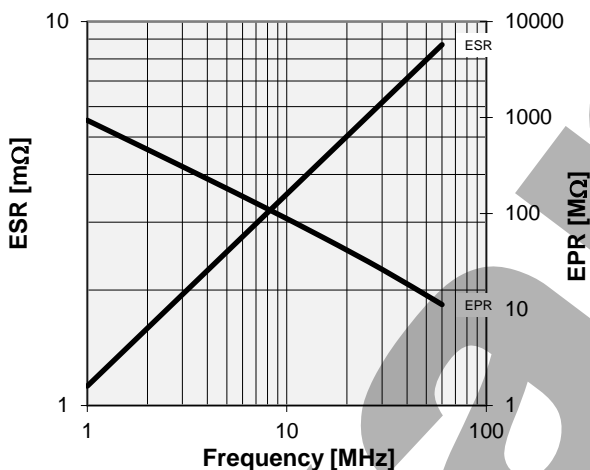
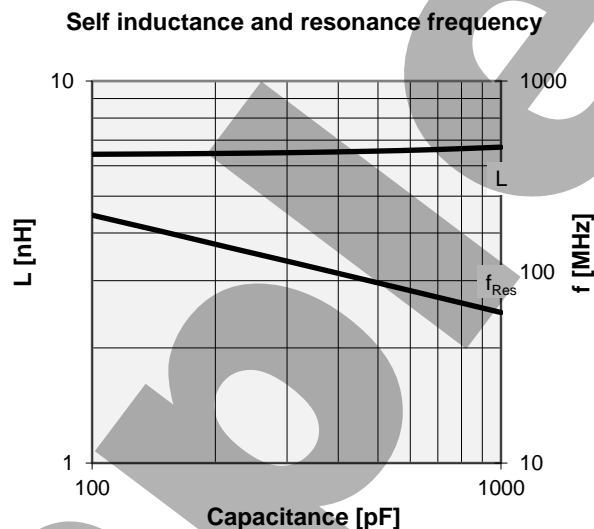
Issue: 05-Sep-2005
 Replaces: 07-Mar-2003

CVPO-1000AC/5-BECA

Old Type Designation: CV05C-1000LMN

Turns	Nominal Capacitance [pF]	Tolerance
0.0	100.0	0%
2.0	216.0	10%
4.0	332.0	10%
6.0	449.0	10%
8.0	566.1	10%
10.0	683.1	10%
12.0	800.1	10%
14.0	917.2	10%
15.4	1000.0	10%

Mechanical stop at < 100 pF at ~ -1.7 turns
 Mechanical stop at > 1000 pF at ~ 15.9 turns



Type Ordering Information:	Upt
CVPO-1000AC/5-BECA	5 kV
CVPO-1000AC/3-BECA	3 kV

Note:
 Technical information in Service Bulletin
 SB-52 must be considered
 Subject to change without prior notice