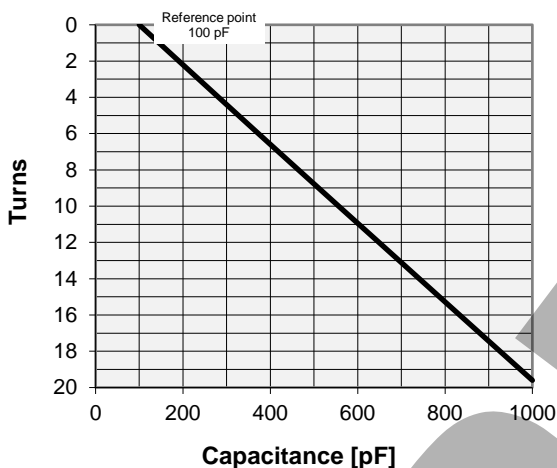


CVMX-1000AC/15-BEAA

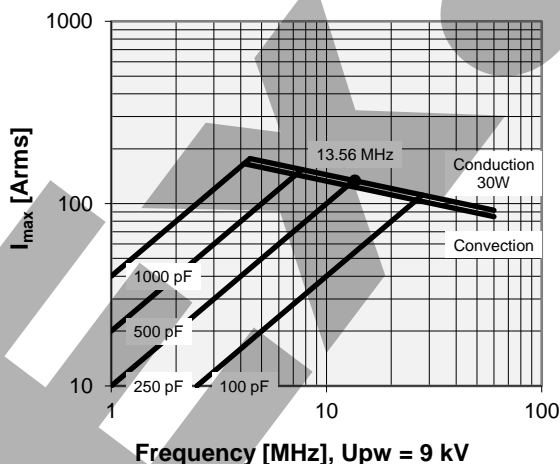
Old Type Designation: CV1C-1000V

Specifications

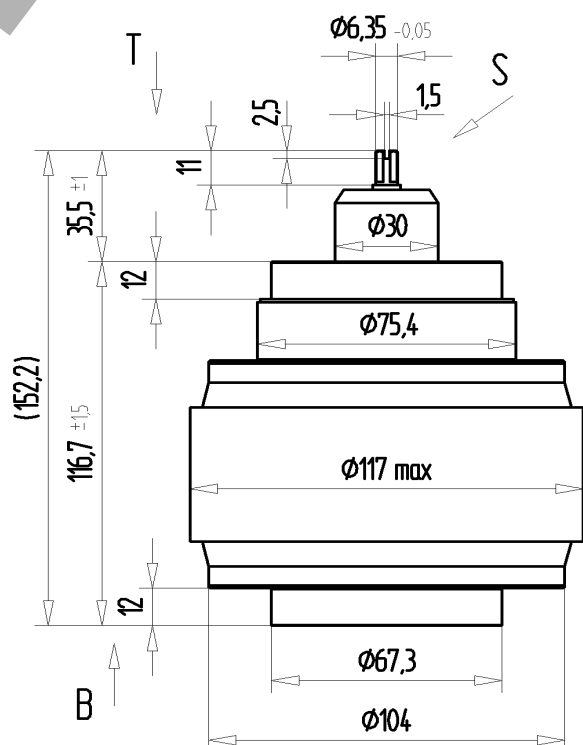
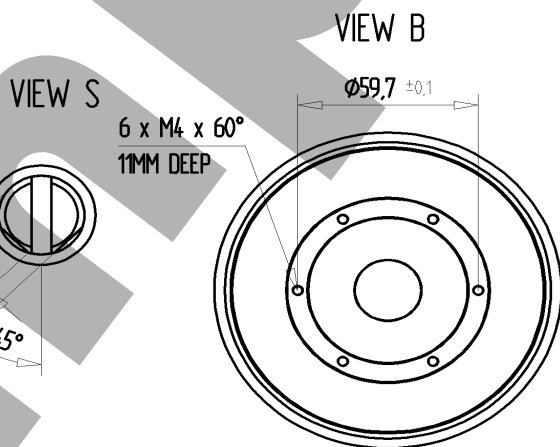
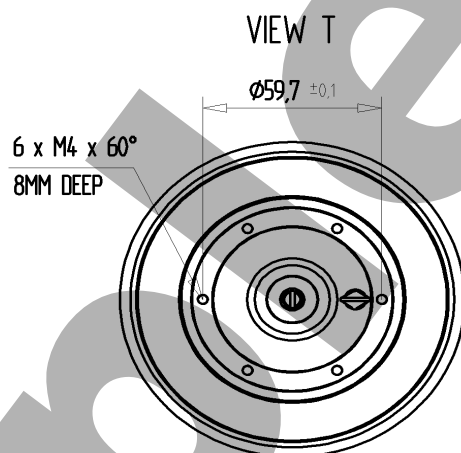
Capacitance C_{max} (nominal)	1000 pF
Capacitance C_{min} (nominal)	100 pF
Voltage (Peak Test U_{pt} / Peak Working U_{pw})	15 kV / 9 kV
Capacitance Tolerance (linear Range)	10%
Max. Current I_{max} at 13.56 MHz with	133 Arms
Conduction Cooling	30 W
Self Inductance	≤ 9 nH
Capacitance per turn	45.9 pF/turn
Torque	≤ 0.6 Nm
Net Weight	2.4 kg



I_{max} at 25°C ambient and 125°C surface temp. for convection and conduction (30 W) cooling



Note:
 Technical information in Service Bulletin
 SB-52 must be considered
 Subject to change without prior notice



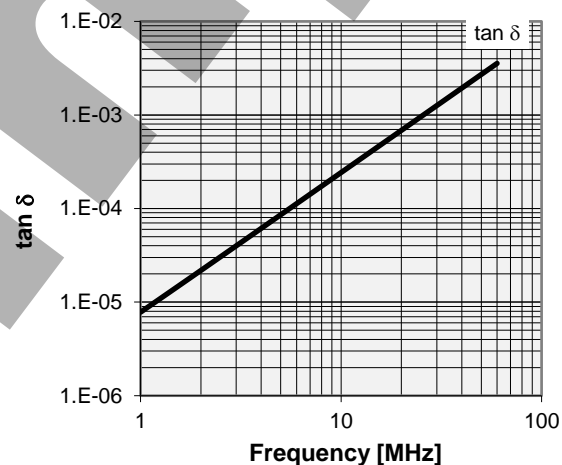
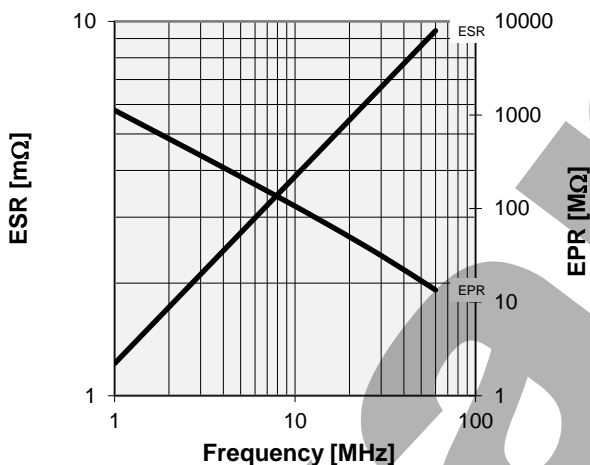
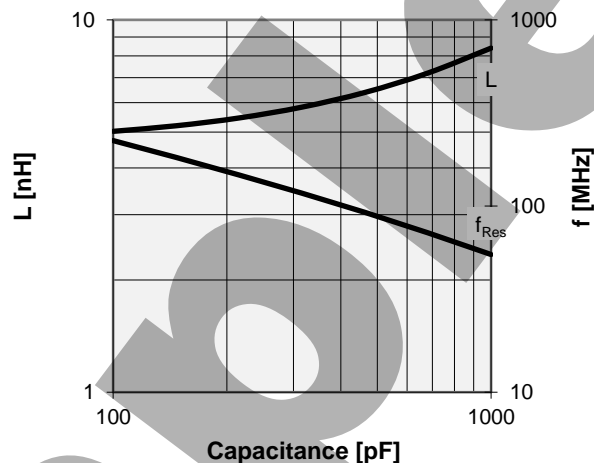
CVMX-1000AC/15-BEAA

Old Type Designation: CV1C-1000V

Turns	Nominal Capacitance [pF]	Tolerance
0.0	100.0	0%
4.0	281.6	10%
8.0	464.5	10%
12.0	648.9	10%
16.0	833.4	10%
19.6	1000.0	10%

Mechanical stop at < 100 pF at ~ -0.6 turns
 Mechanical stop at > 1000 pF at ~ 19.9 turns

Self inductance and resonance frequency



Note:
 Technical information in Service Bulletin
 SB-52 must be considered
 Subject to change without prior notice