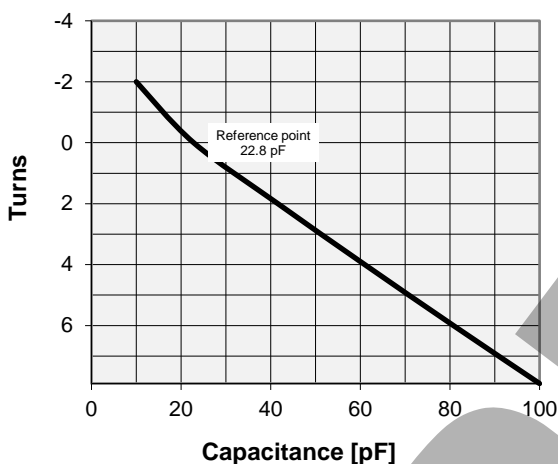


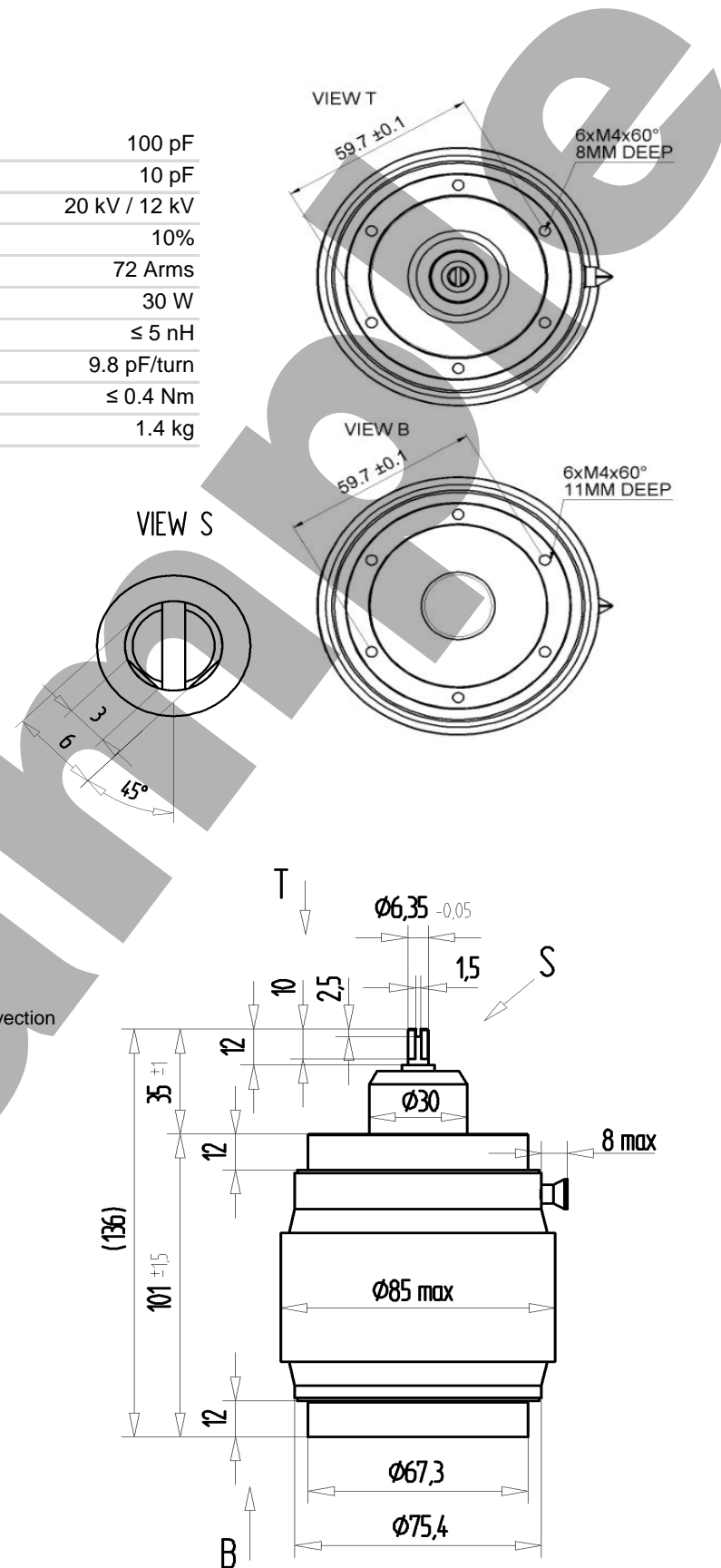
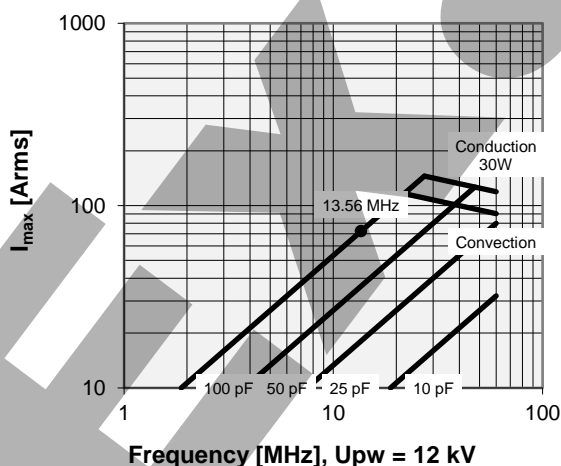
# CVHE-100AC/20-BEAA

## Specifications

Capacity $C_{max}$ (nominal)	100 pF
Capacity $C_{min}$ (nominal)	10 pF
Voltage (Peak Test $U_{pt}$ / Peak Working $U_{pw}$ )	20 kV / 12 kV
Capacity Tolerance (linear Range)	10%
Max. Current $I_{max}$ at 13.56 MHz with	72 Arms
Conduction Cooling	30 W
Self Inductance	$\leq 5$ nH
Capacitance per turn	9.8 pF/turn
Torque	$\leq 0.4$ Nm
Net Weight	1.4 kg



$I_{max}$  at 25°C ambient and 125°C surface temp. for convection and conduction (30 W) cooling



Note:  
 Technical information in Service Bulletin  
 SB-52 must be considered  
 Subject to change without prior notice

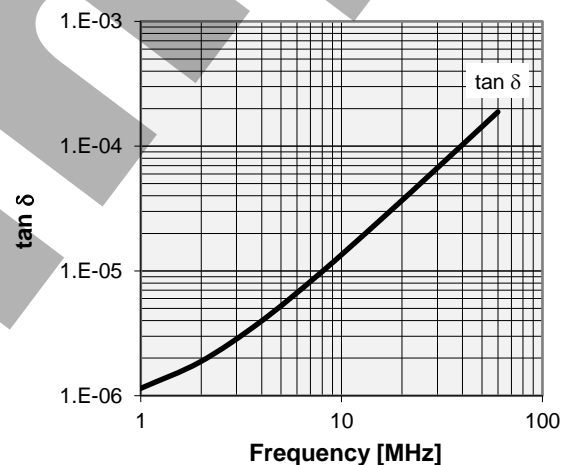
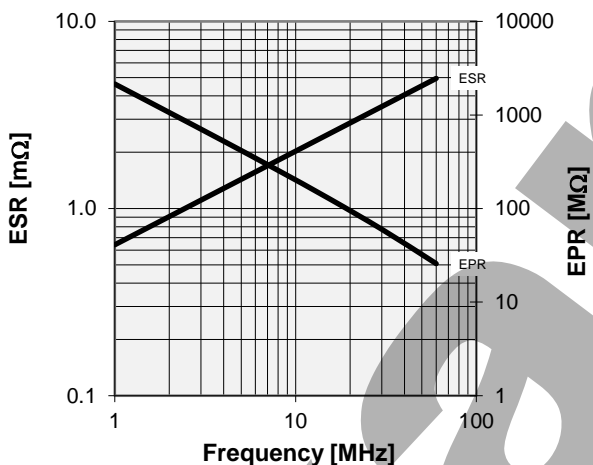
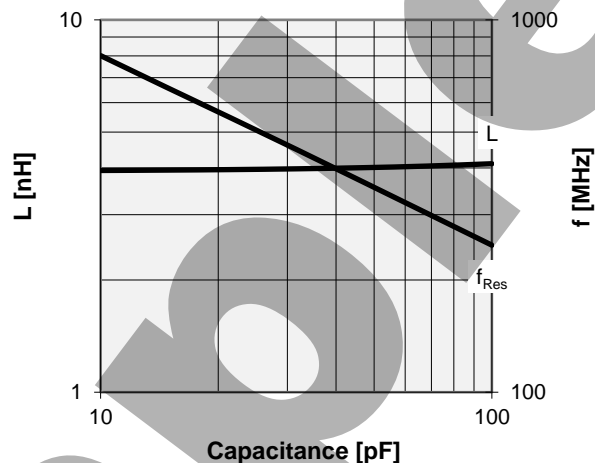
Issue: 18-Jun-2015  
 Replaces: 09-Mar-2006  
 pct.comet.tech

# CVHE-100AC/20-BEAA

Turns	Nominal Capacitance [pF]	Tolerance
-2.0	10.0	10%
0.0	22.8	0%
2.0	41.6	10%
4.0	61.0	10%
6.0	80.8	10%
7.9	100.0	10%

Mechanical stop at < 10 pF at ~ -11.7 turns  
 Mechanical stop at > 100 pF at ~ 8.4 turns

Self inductance and resonance frequency



Note:  
 Technical information in Service Bulletin  
 SB-52 must be considered  
 Subject to change without prior notice