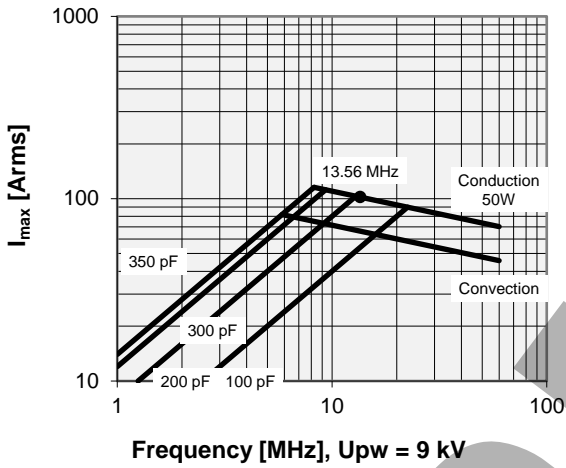
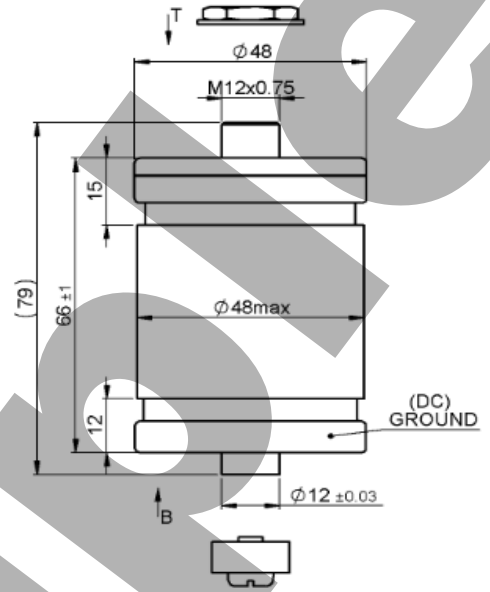


CTMN-325AAC/15-VK

Specifications

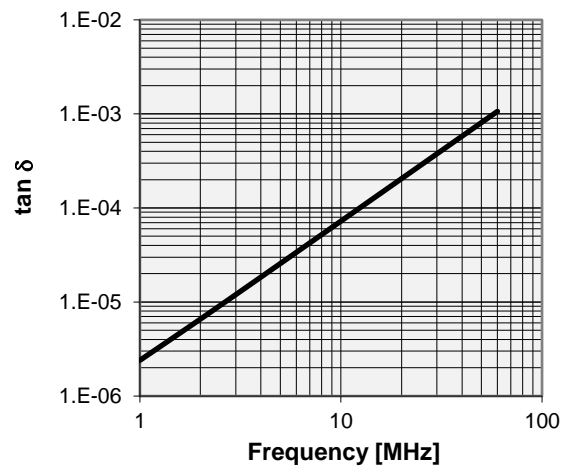
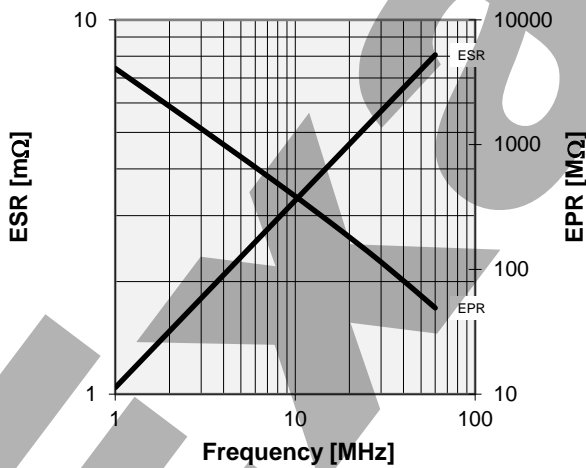
Capacitance C_{max} (nominal)	350 pF
Capacitance C_{min} (nominal)	300 pF
Voltage (Peak Test U_{pt} / Peak Working U_{pw})	15 kV / 9 kV
Max. Current I_{max} at 13.56 MHz with	101 Arms
Conduction Cooling	50 W
Capacitance per turn	7.8 pF
Net Weight	0.8 kg
Torque	<0.2 Nm

I_{max} at 25°C ambient and 125°C surface temp. for convection and conduction (50W) cooling



M5, 6mm DEEP

SETTING SCREW
3mm HEX



Special Features:
RoHS Compliant

Note:
Technical information in Service Bulletin
SB-52 must be considered
Subject to change without prior notice

Issue: 08-Feb-2018