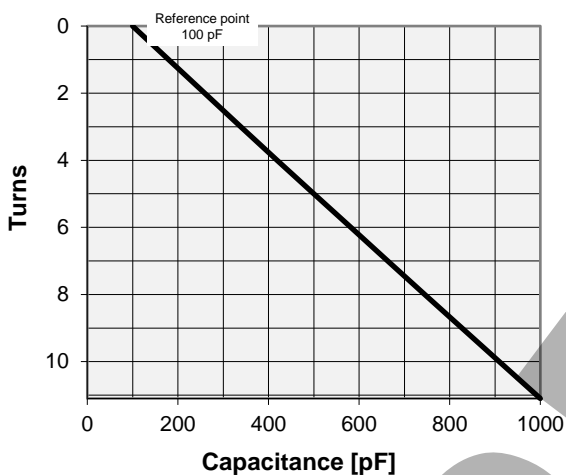


# CVUN-1000AC/5-BAJA

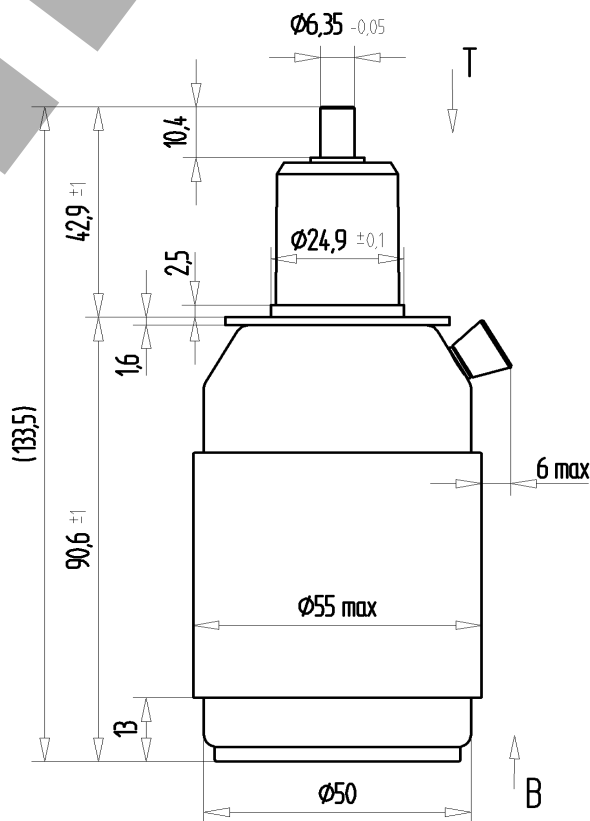
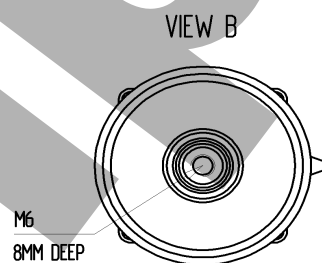
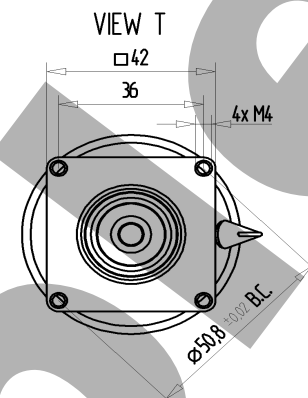
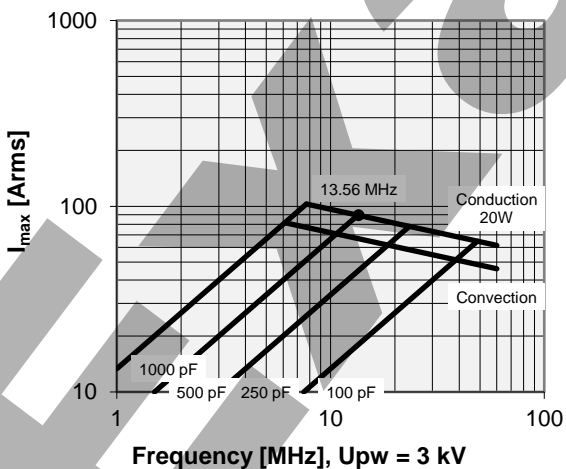
Old Type Designation: CV05C-1000UC

## Specifications

Capacity $C_{max}$ (nominal)	1000 pF
Capacity $C_{min}$ (nominal)	100 pF
Voltage (Peak Test $U_{pt}$ / Peak Working $U_{pw}$ )	5 kV / 3 kV
Capacity Tolerance (linear Range)	10%
Max. Current $I_{max}$ at 13.56 MHz with	89 Arms
Conduction Cooling	20 W
Self Inductance	$\leq 9$ nH
Capacitance per turn	81.1 pF/turn
Torque	$\leq 0.2$ Nm
Net Weight	0.58 kg



$I_{max}$  at 25°C ambient and 125°C surface temp. for convection and conduction (20 W) cooling



Note:  
 Technical information in Service Bulletin  
 SB-52 must be considered  
 Subject to change without prior notice

Issue: 26-Jun-2006  
 Replaces: 09-Jun-2005

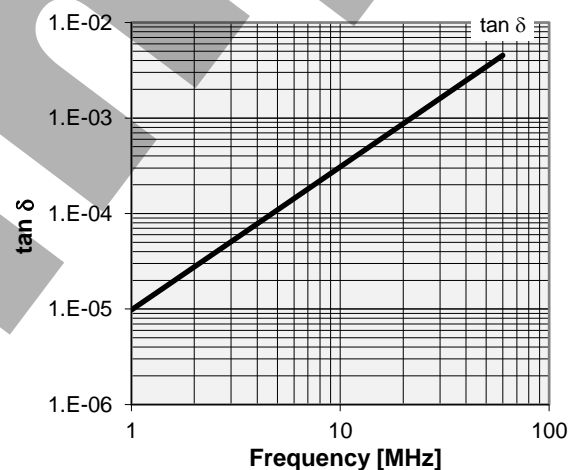
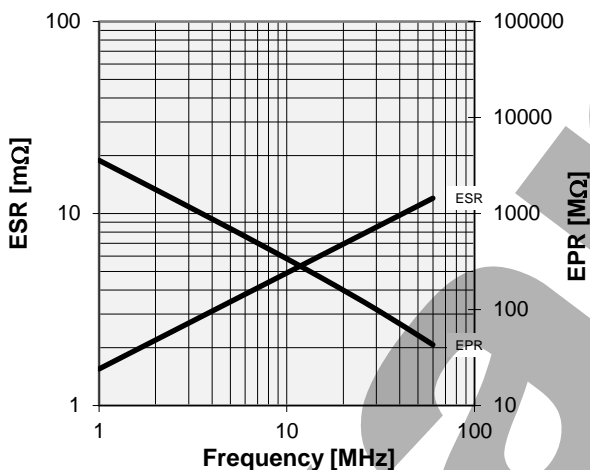
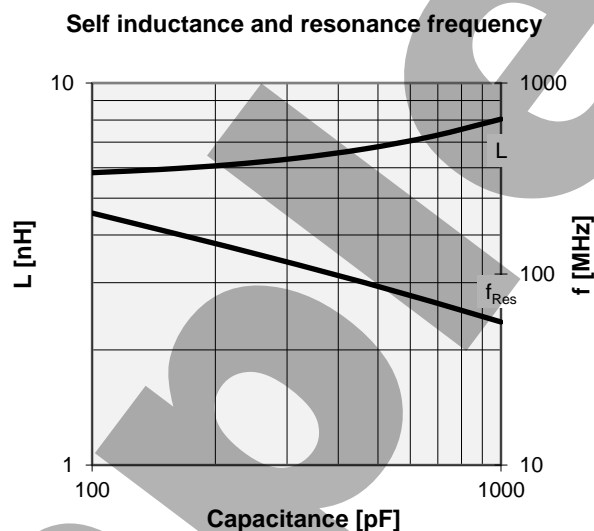
pct.comet.tech

# CVUN-1000AC/5-BAJA

Old Type Designation: CV05C-1000UC

Turns	Nominal Capacitance [pF]	Tolerance
0.0	100.0	0%
2.0	259.0	10%
4.0	418.9	10%
6.0	581.8	10%
8.0	744.7	10%
11.1	1000.0	10%

Mechanical stop at < 100 pF at ~ -0.5 turns  
 Mechanical stop at > 1000 pF at ~ 11.2 turns



Note:  
 Technical information in Service Bulletin  
 SB-52 must be considered  
 Subject to change without prior notice